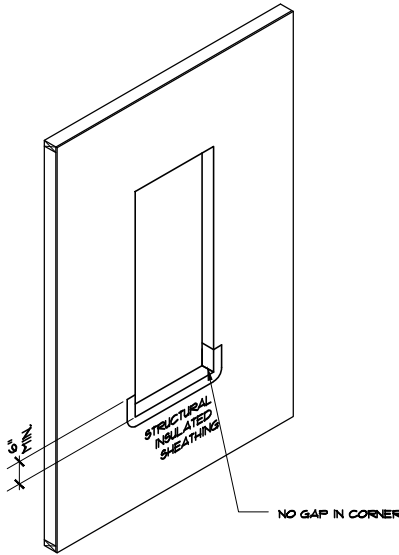


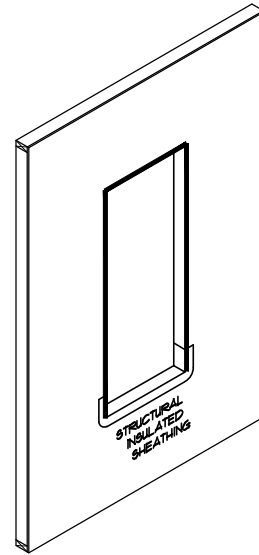
**STEP 1**  
CUT SIB PANEL W/ APPROVED TOOLS TO APPROPRIATE WINDOW ROUGH OPENING SIZE



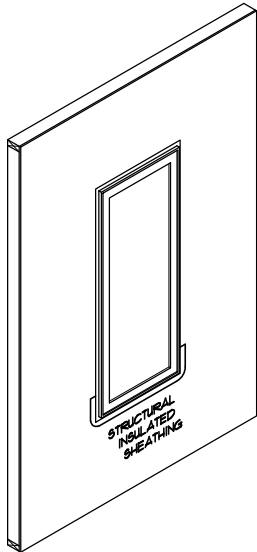
**STEP 2**  
INSTALL FORMABLE SILL FLASHING PER MANUFACTURER'S SPECIFICATIONS - CUT AT LEAST 12" LONGER THAN WIDTH OF ROUGH OPENING. FAN OUT FORMABLE SILL FLASHING AT BOTTOM ONTO FACE OF WALL.

SELF ADHERED MEMBRANE FLASHING OR MANUFACTURED RIGID PAN FLASHING W/ BUILT-IN BACK DAM MAY BE USED IN LIEU OF FORMABLE FLASHING - INSTALL PER MFR'S SPECS.

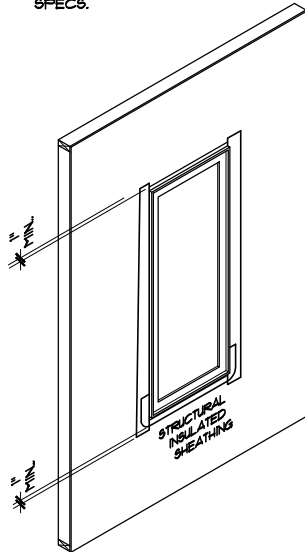
**DOOR INSTALLATION:**  
SILL PAN MAY BE USED IN LIEU OF SELF-ADHERED MEMBRANE FLASHING. INSTALL SILL PAN PER MFR'S SPECS.



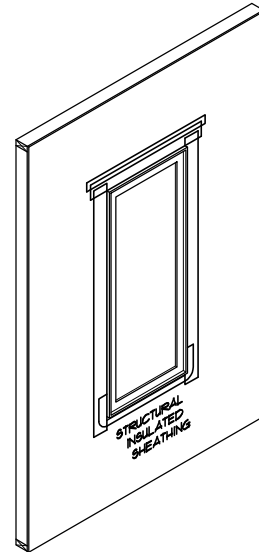
**STEP 3**  
APPLY APPROVED SEALANT ON THREE SIDES (JAMBES & HEAD)



**STEP 4**  
INSTALL WINDOW/DOOR PER MANUFACTURER'S SPECIFICATIONS



**STEP 5**  
APPLY SELF-ADHERED FLASHING @ SIDES OF WINDOW FLANGE & OVERLAP SILL FLASHING



**STEP 6**  
APPLY SELF-ADHERED FLASHING FOR HEAD FLASHING - LONG ENOUGH TO EXTEND BEYOND OUTER EDGES OF JAMB FLASHING

APPLY ADDITIONAL LAYER OF 2-1/2" CONSTRUCTION TAPE OVER HEAD FLASHING TO CREATE SHEDDING EFFECT

AIR SEAL WINDOW AROUND ENTIRE PERIMETER ON THE INTERIOR WITH NON-EXPANDING FOAM

07/20/2018



www.oxengineeredproducts.com

# OX-IS / ISO RED / TPLY Window Trim Details

# 106

1 1